

CONVERTIBLE—TRIM FLIPPER DOOR BREAKS— REPLACEMENT PROCEDURE

Article No.
90-22-3

MERCURY: 1991 CAPRI

ISSUE

The trim flipper door on the rear storage cover is serviced as a separate item. It is not necessary to replace the entire trim storage cover in the event of a flipper door failure.

ACTION

If service is required, use the following service replacement procedure.

1. Release the convertible top rear hoop from the storage area lid moulding, Figure 1.
2. Remove the three (3) plastic cover plugs from the upper surface of the storage area lid trim panel.
3. Open the storage area lid and remove the nine (9) self tapping screws holding the trim panel to the storage area lid, Figure 2.
4. Remove the four (4) lid moulding retaining nuts from the left and right hand sides, Figure 2.
5. Loosen the moulding nuts along the lower edge, Figure 2.
6. Remove the lid trim panel.

NOTE

MAKE SURE TO PLACE THE LID TRIM COVER UPSIDE DOWN ON A CLEAN PROTECTIVE COVER TO PREVENT DAMAGE.

7. Remove the flipper door retaining pin.
8. Remove the flipper door from the knurled end of the retaining pin.
9. Install the new flipper door. Make sure the return spring is properly located, Figure 3.
10. Reassemble the car by reversing steps 1 through 6.

PART NUMBER	PART NAME
E9JY-7631086-A	Flipper Door - Right Hand
E9JY-7631087-A	Flipper Door - Left Hand

OTHER APPLICABLE ARTICLES: None
WARRANTY STATUS: Eligible Under Basic
 Warranty Coverage

OPERATION	DESCRIPTION	TIME
902203A	Install Flipper Door - One Or Both	0.6 Hr.

DEALER CODING

BASIC PART NO.
7031086

CONDITION
CODE
01

OASIS CODES: 108000, 111000

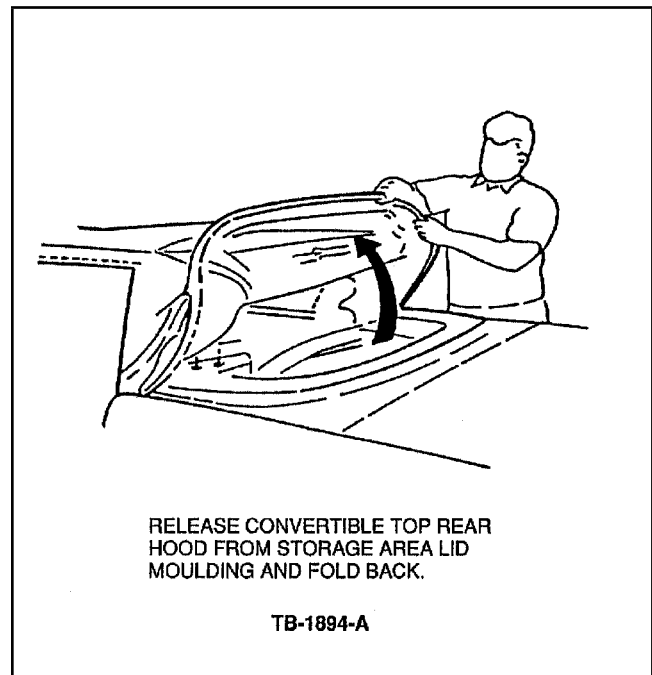


Figure 1 - Article 90-22-3

Article No. 90-22-3 Cont'd.

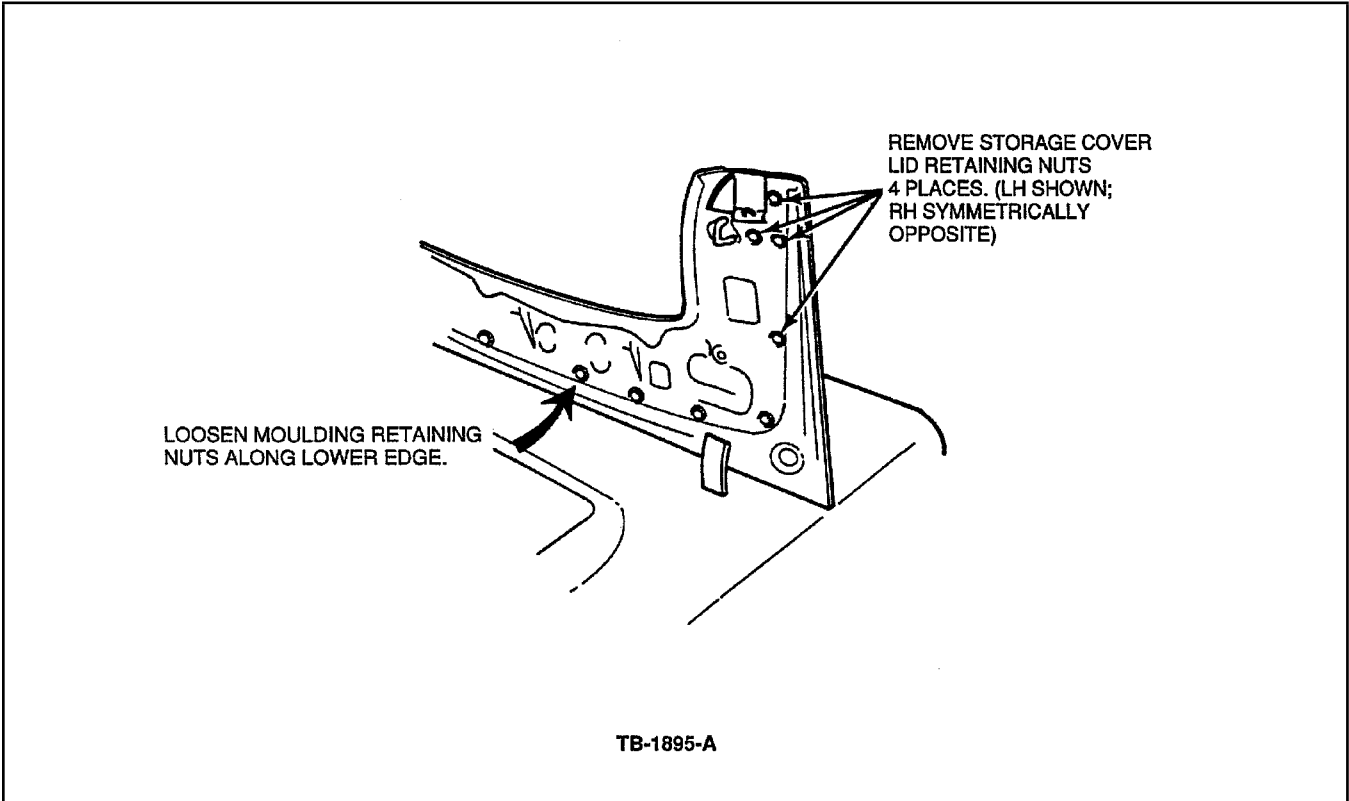


Figure 2 - Article 90-22-3

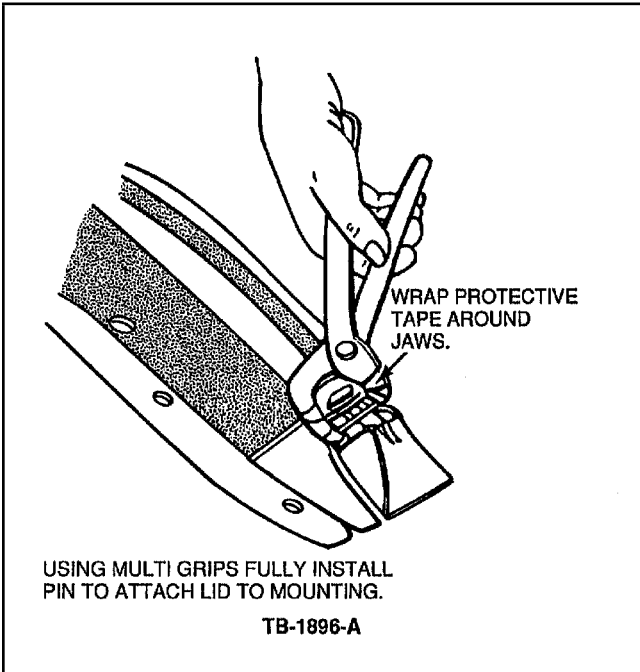


Figure 3 - Article 90-22-3